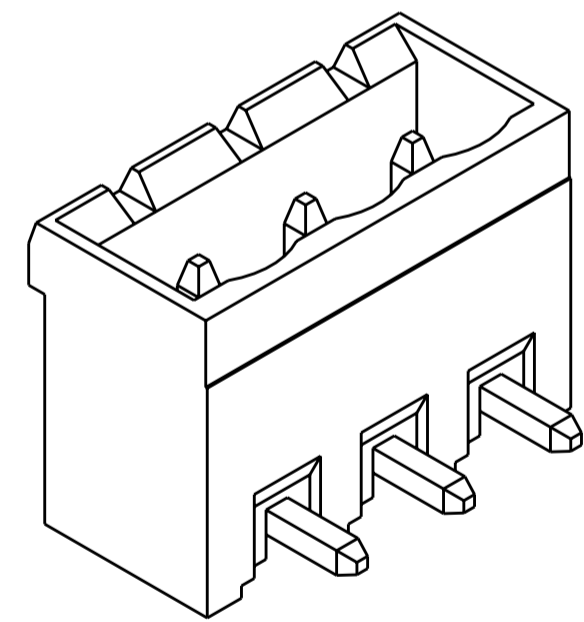
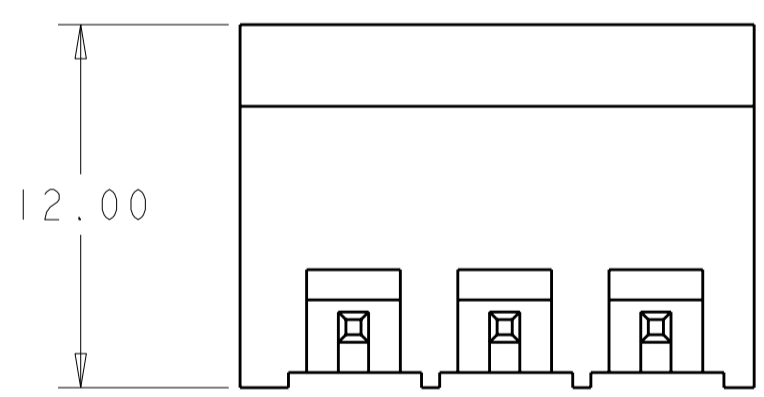
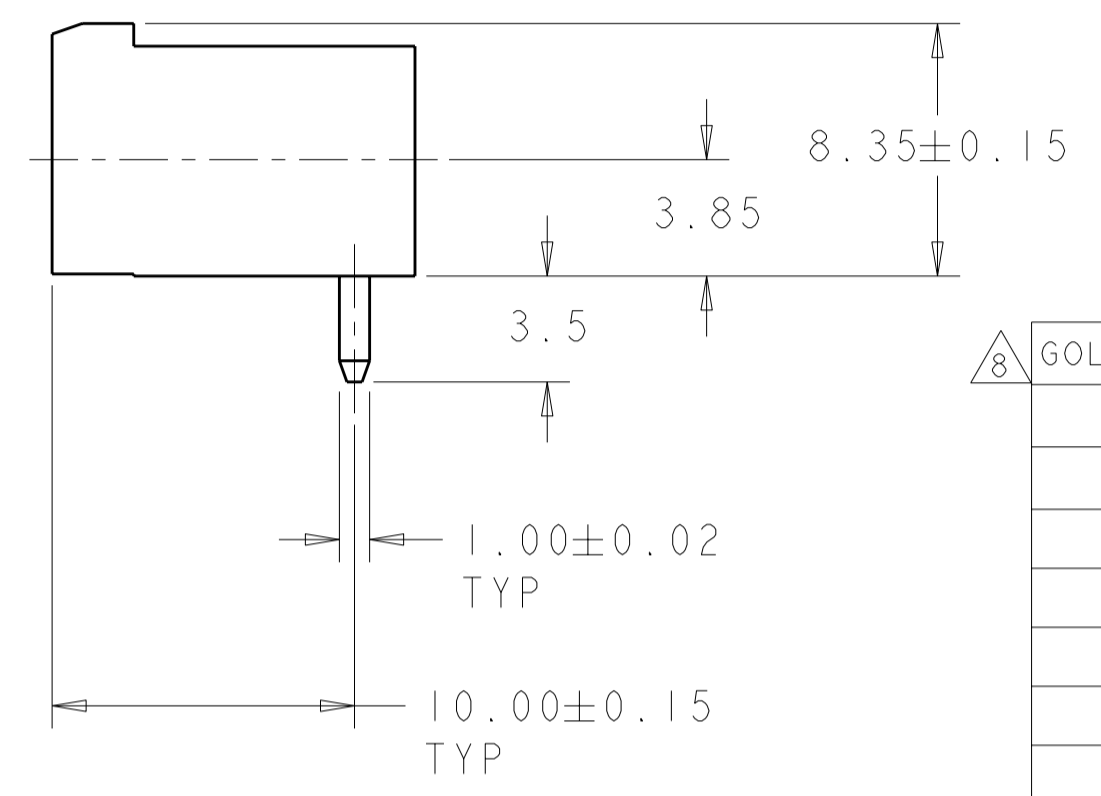
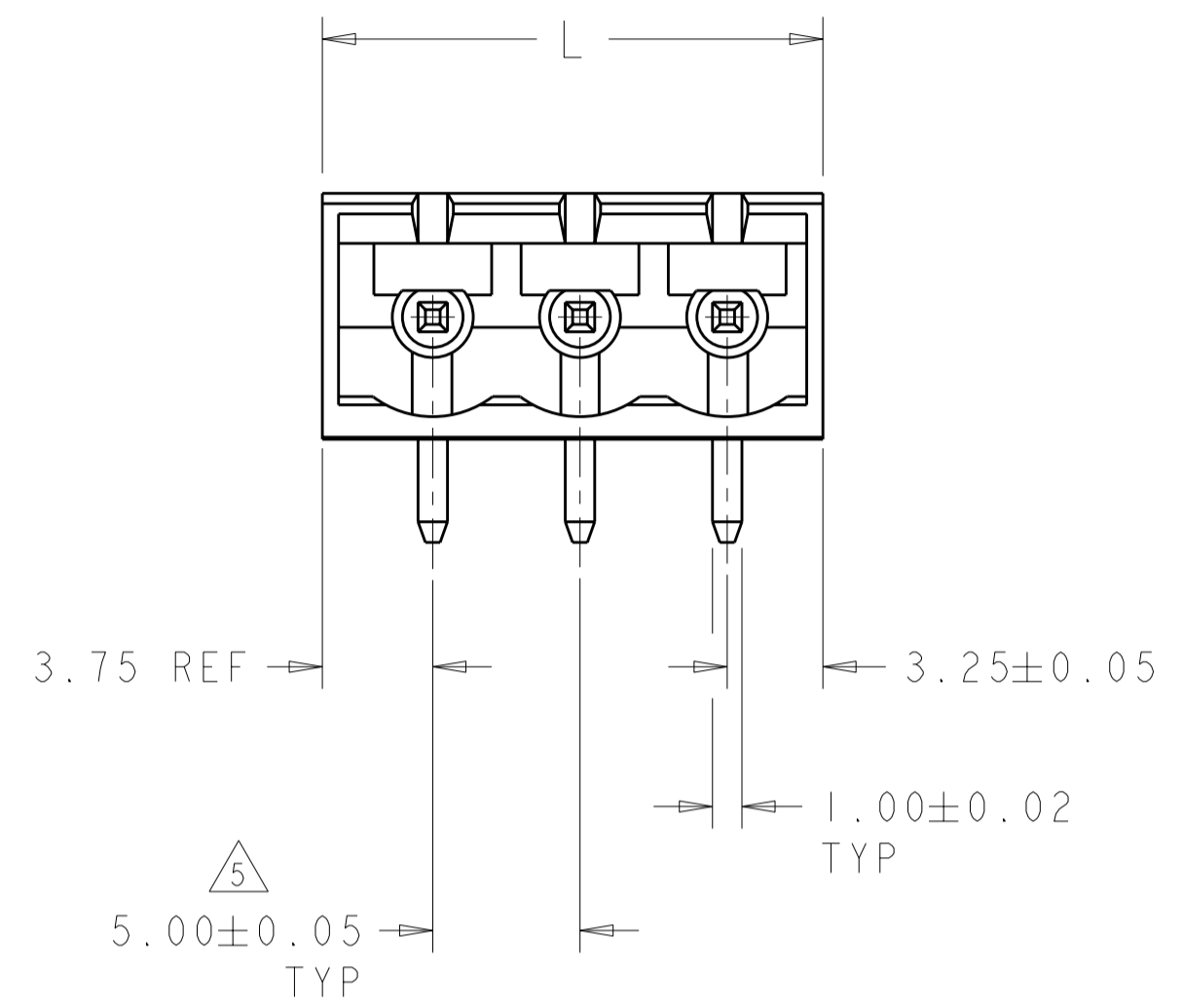
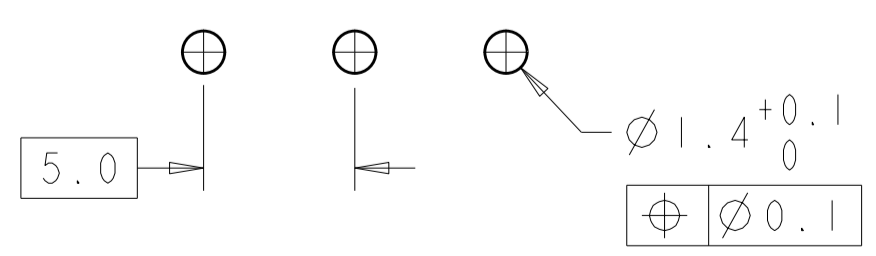


THIS DRAWING IS UNPUBLISHED. RELEASED FOR PUBLICATION 20  
 © COPYRIGHT 20 BY TYCO ELECTRONICS CORPORATION. ALL RIGHTS RESERVED.

LOC	DIST	REVISIONS			
P	LTR	DESCRIPTION	DATE	DWN	APVD
FT	0	CI	REVISED PER ECO-08-016224	07JUL2008	HMR CR



796644-3 AS SHOWN



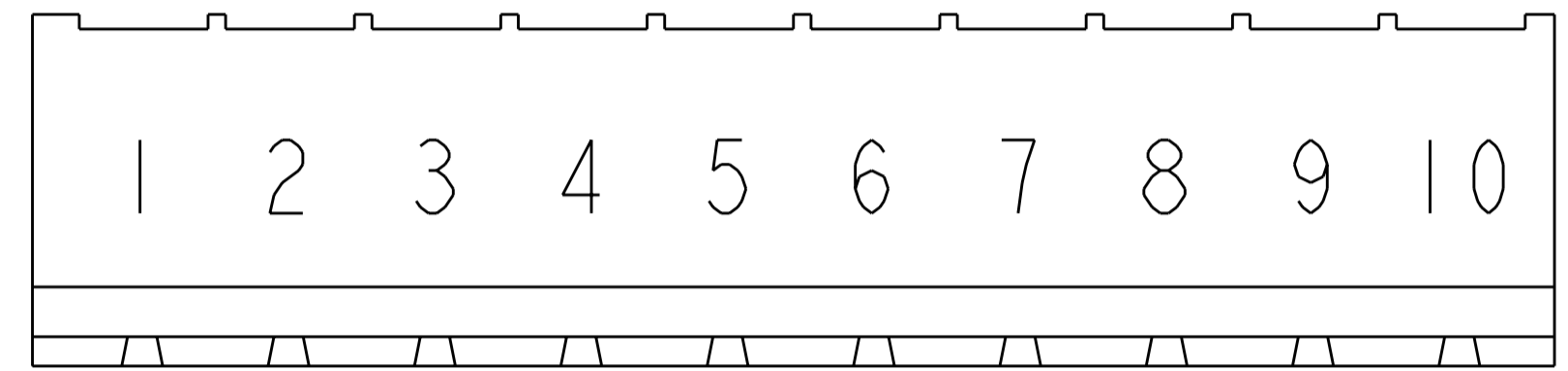
RECOMMENDED PC BOARD LAYOUT

TERMINAL PLATING	MARKING	SPECIAL	DIM L	NO OF POSN	PART NUMBER
GOLD FLASH	-	-	37.0	7	3-796644-6
TIN	△6	DETAIL M	27.0	5	3-796644-5
TIN	△6	DETAIL L	52.0	10	3-796644-0
TIN	-	-	127.0	25	2-796644-5
TIN	-	-	122.0	24	2-796644-4
TIN	-	-	117.0	23	2-796644-3
TIN	-	-	112.0	22	2-796644-2
TIN	-	-	107.0	21	2-796644-1
TIN	-	-	102.0	20	2-796644-0
TIN	-	-	97.0	19	1-796644-9
TIN	-	-	92.0	18	1-796644-8
TIN	-	-	87.0	17	1-796644-7
TIN	-	-	82.0	16	1-796644-6
TIN	-	-	77.0	15	1-796644-5
TIN	-	-	72.0	14	1-796644-4
TIN	-	-	67.0	13	1-796644-3
TIN	-	-	62.0	12	1-796644-2
TIN	-	-	57.0	11	1-796644-1
TIN	-	-	52.0	10	1-796644-0
TIN	-	-	47.0	9	796644-9
TIN	-	-	42.0	8	796644-8
TIN	-	-	37.0	7	796644-7
TIN	-	-	32.0	6	796644-6
TIN	-	-	27.0	5	796644-5
TIN	-	-	22.0	4	796644-4
TIN	-	-	17.0	3	796644-3
TIN	-	-	12.0	2	796644-2

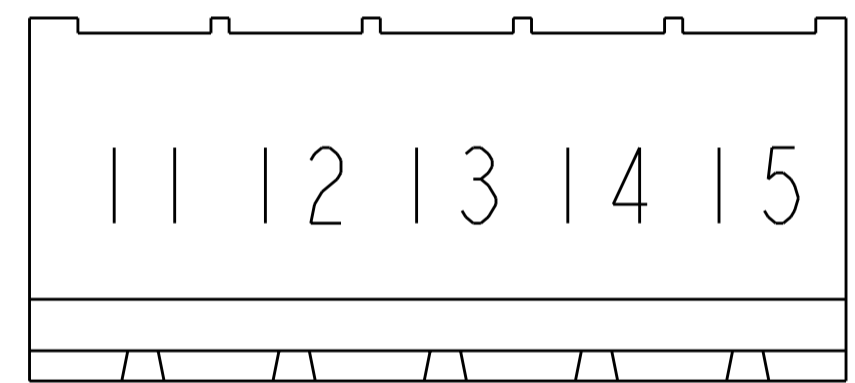
THIS DRAWING IS A CONTROLLED DOCUMENT FOR TYCO ELECTRONICS CORPORATION. IT IS SUBJECT TO CHANGE AND THE CONTROLLING ENGINEERING ORGANIZATION SHOULD BE CONTACTED FOR THE LATEST REVISION.		DWN S. WELDON 19OCT2000 CHK D. BIEVENOUR 19OCT2000 APVD D. BIEVENOUR 19OCT2000	Tyco Electronics Harrisburg, PA 17105-3608
DIMENSIONS: mm 	TOLERANCES UNLESS OTHERWISE SPECIFIED: 0 PLC ± 1 PLC ±0.3 2 PLC ±0.25 3 PLC ± 4 PLC ± ANGLES ± FINISH	PRODUCT SPEC APPLICATION SPEC WEIGHT	NAME TERMI-BLOK HEADER ASSEMBLY, 90 DEGREE, CLOSED ENDS, 5.00mm PITCH SIZE A2 CAGE CODE 00779 DRAWING NO. 796644
MATERIAL		CUSTOMER DRAWING	RESTRICTED TO SCALE 4:1 SHEET 1 OF 2 REV C1

THIS DRAWING IS UNPUBLISHED. RELEASED FOR PUBLICATION 20  
 © COPYRIGHT 20 BY TYCO ELECTRONICS CORPORATION. ALL RIGHTS RESERVED.

LOC		DIST		REVISIONS			
P	LTR	DESCRIPTION	DATE	DWN	APVD		
		SEE SHEET 1					



DETAIL L



DETAIL M

- 1. MATERIALS AND FINISH:  
 HOUSING: PA 6-6, UL 94-V0, COLOR: GREEN.  
 TERMINAL: PHOSPHOR BRONZE, PLATING: SEE TABLE.
- 2. SUITABLE FOR 1,6-2, 4mm PC BOARD THICKNESS.
- 3. RECOGNIZED UNDER THE COMPONENT PROGRAM OF UNDERWRITERS LABORATORIES INC. FILE N° E60677.
- 4. IMQ CERTIFICATE WITH SURVEILLANCE IN CONFORMITY WITH IEC 998-1/998-2-1.)
- 5. NOT CUMULATIVE TOLERANCE
- 6. INK MARKED WHITE.
- 7. BUCHANAN LOGO TO APPEAR ON HOUSING, LOCATION OPTIONAL WHERE SPACE PERMITS.
- 8. PRELIMINARY - NOT FOR PRODUCTION.

<small>THIS DRAWING IS A CONTROLLED DOCUMENT FOR TYCO ELECTRONICS CORPORATION          IT IS SUBJECT TO CHANGE AND THE CONTROLLING ENGINEERING ORGANIZATION          SHOULD BE CONTACTED FOR THE LATEST REVISION.</small>		DWN S. WELDON 19OCT2000 CHK D. BIEVENOUR 19OCT2000 APVD D. BIEVENOUR 19OCT2000	Tyco Electronics Harrisburg, PA 17105-3608
DIMENSIONS: mm	TOLERANCES UNLESS OTHERWISE SPECIFIED: 0 PLC ± 1 PLC ± 2 PLC ± 3 PLC ± 4 PLC ± ANGLES ± FINISH -	PRODUCT SPEC - APPLICATION SPEC - WEIGHT -	NAME TERMI-BLOK HEADER ASSEMBLY, 90 DEGREE, CLOSED ENDS, 5.00mm PITCH
MATERIAL -	DIMENSIONS:	SIZE A2 CAGE CODE 00779 DRAWING NO. 796644	RESTRICTED TO - SCALE 4:1 SHEET 2 OF 2 REV C1
CUSTOMER DRAWING			